

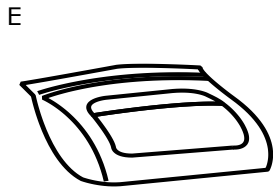
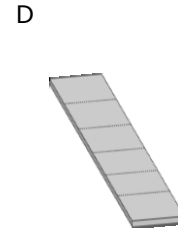
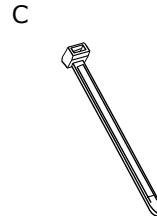
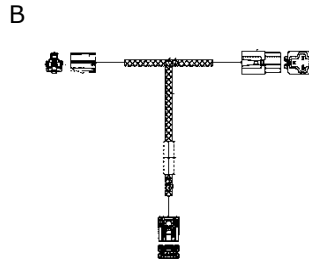
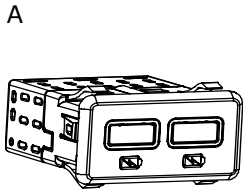


GENUINE PARTS

INSTALLATION INSTRUCTIONS

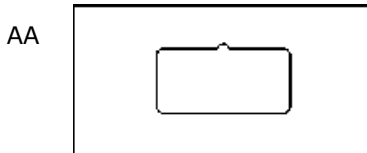
DESCRIPTION: Dual Rear Seat USB Charge Port Kit
APPLICATION: Pathfinder (Not Applicable to S Grade)
PART NUMBER(S) 999Q7 V4000
REQUIRED FOR INSTALLATION: T98Q7 5ZW2A (Metal Cutting Template) - Not Included in the Kit
KIT CONTENTS:

Item	Qty.	Part Description	Service Part Number
A	1	Dual RR Seat USB charging Module	999Q7 V4001
B	1	12V Power point T-Harness	999Q9 V4000/999Q9 V4001
C	10	Wire Ties	
D	4	Foam Tape	
E	1	Poly Bag	
F	1	Installation Instruction Replacement Template	999V2 AW000



T98Q7 5ZW2A (Metal Cutting Template) - SERVICE PART

Item	Qty.	Part Description	Service Part Number
AA	1	Metal Cutting Template (NOT INCLUDED IN KIT)	T98Q7 5ZW2A



TOOLS REQUIRED:

- Drill
- 1/8" Drill Bit
- Trim Removal Tools
- Hand File
- Dremel Tool
- Phillip head Screwdriver
- Fish tape
- Scissor
- Tape

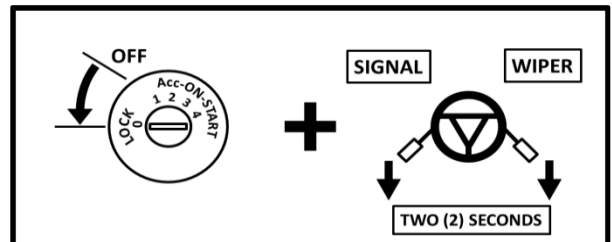
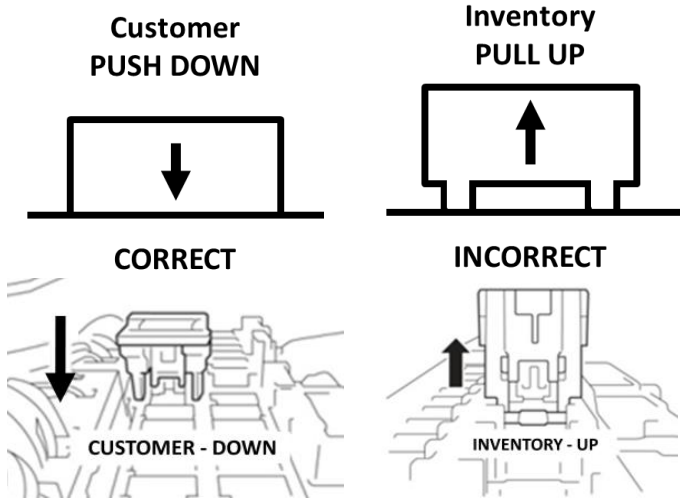
Vehicle Preparation:

⚠ CAUTION

• Always confirm the ignition is in the "OFF" position before changing the switch condition.

- 1) Apply parking brake
- 2) Confirm vehicle is not in the default shipping state or "Inventory position" as shown below. Failure to confirm vehicle has been removed from this state will result in loss of normal vehicle operation.
- 3) Locate Extended Storage Switch in cabin fuse block. Confirm it is in the "Customer" position. See below for reference.
 - a) To remove transit mode (Fuse Block):
 1. Remove fuse cover lid.
 2. Push down shorting pin.
 3. Ign On 2 times without starting the vehicle.
 - b) To remove transit mode (BCM):
 1. Confirm ignition switch is in "OFF" position.
 2. Simultaneously push the signal and wiper switch fully down for two (2) seconds.

NOTE: While in BCM Transit Mode, turn signal indicators will remain illuminated for one minute.



- c) To return to transit mode for storage:
 1. Ign Off.
 2. Remove fuse cover lid.
 3. Pull up shorting pin.
 4. Assemble fuse cover lid.
 5. Ign On 2 times without turn the vehicle on.
 6. Confirm transit mode condition on meter

NOTE: Typical vehicle condition shown above. Switch is easily identifiable by the permanent, push-pull fuse holder. Actual position on the fuse block may vary, vehicle to vehicle.

Condition	Switch Position	Note
Vehicle is delivered to the dealer	Inventory Condition	
Technician performs PDI	Customer Delivery	Return to Inventory position after PDI.
Customer test drives the vehicle	Customer Delivery	Return to Inventory position after test drive.
Vehicle is being stored at the dealer	Inventory Condition	
Vehicle is delivered to customer	Customer Delivery	

NOTE: The Extended Storage Switch is only an aid to improve battery life during vehicle storage at the dealer. If the Extended Storage Switch fuse ever needs service after vehicle delivery, discard the Extended Storage Switch and install the correct fuse in its place.

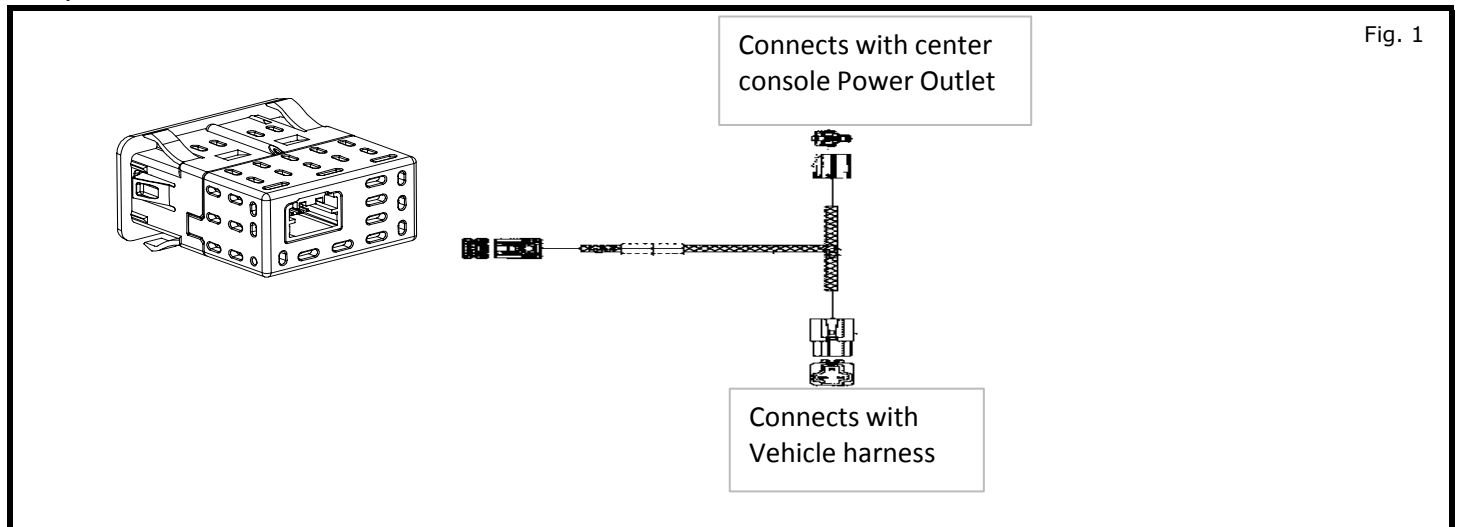
- 4) Turn ignition switch to "ON" position
- 5) Record the customer radio presets and other presets as required.

Preset	1	2	3	4	5	6		

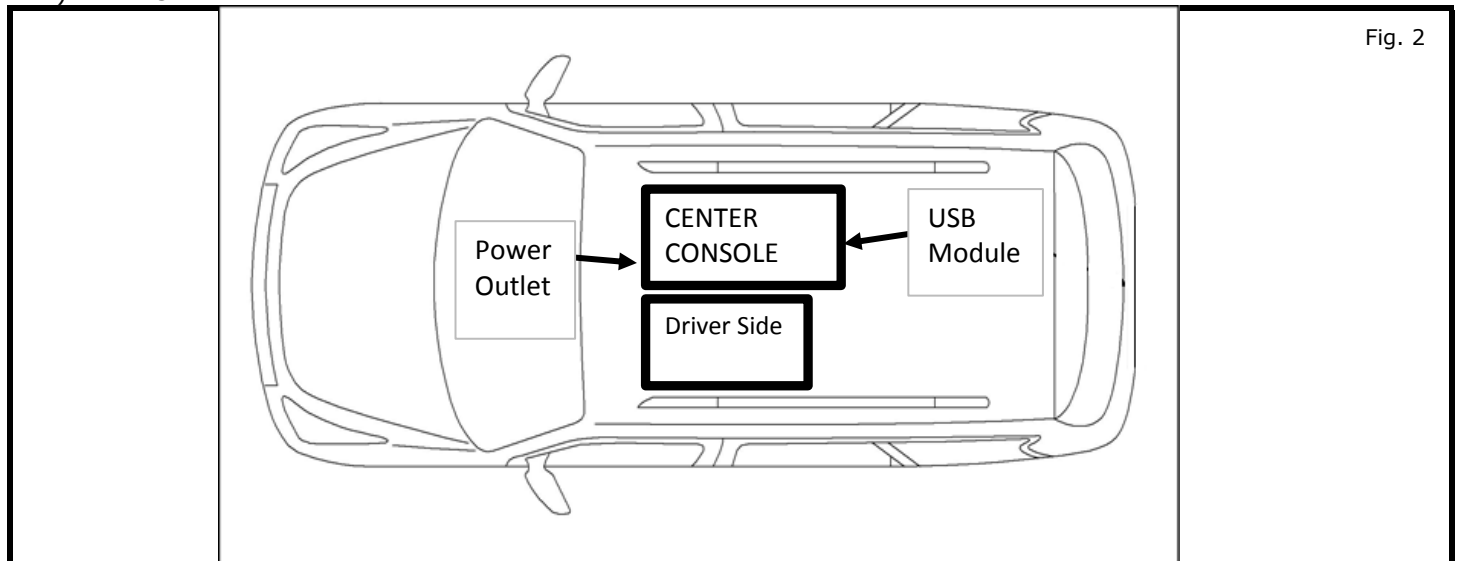
- 6) Put shift lever in "P" position for A/T and CVT or "1st" for M/T
- 7) Turn ignition switch to "OFF" position
- 8) Use seat and floor protection.

9. INSTALLATION OVERVIEW:

1.) SYSTEM



2.) VEHICLE



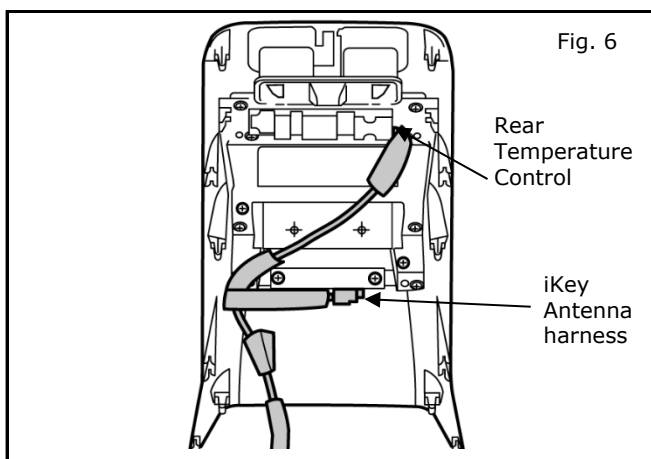
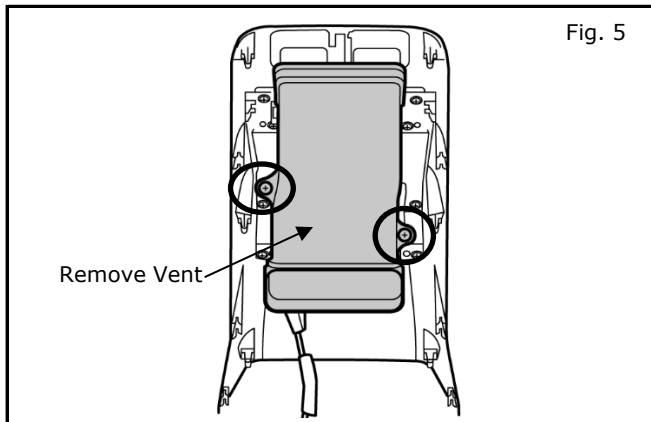
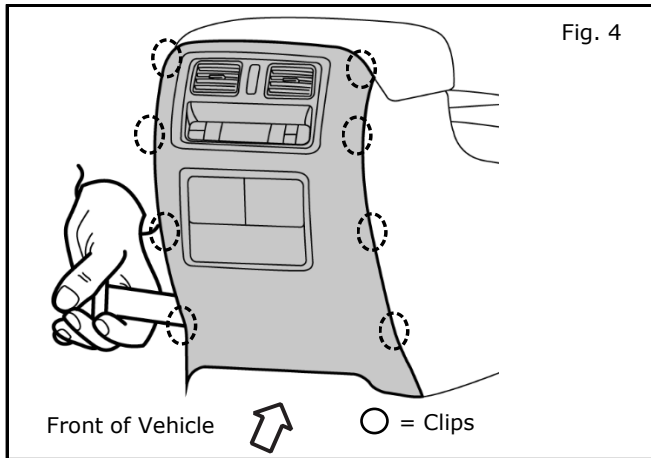
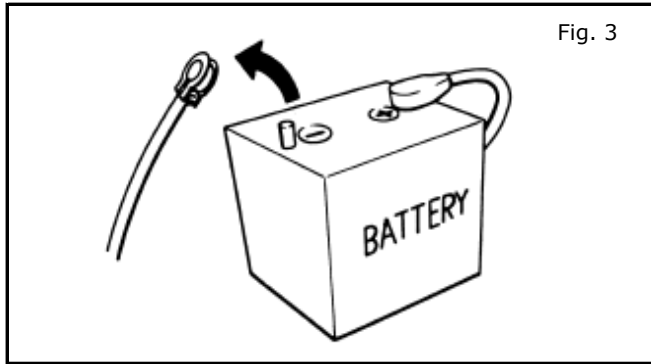
PRE-INSTALLATION CAUTION/NOTES

- Dealer installation recommended. Instructions may refer to Service Manual
- Installation may require special tools
- This part is to be installed within a surface temperature range of 65-100°F

⚠ CAUTION

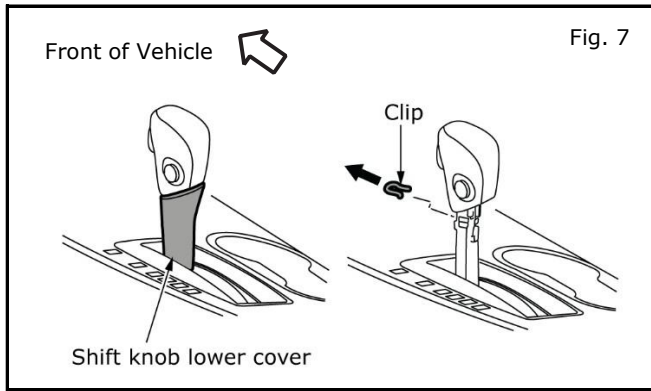
- **This accessory must only be installed as specified in these instructions.**
- **Ensure at all times that parts are securely fitted and will not compromise the safe function of vehicle systems**
- **Take care not to scratch or damage any component during the removal or re-installation process.**
- **Always remove vehicle parts in the sequence they are shown, improper procedure can damage parts.**
- **Store removed parts in a safe and protected manner.**
- **Place module in vehicle as described to ensure that the vehicle I_Key system works properly**

10 INSTALLATION PROCEDURE:

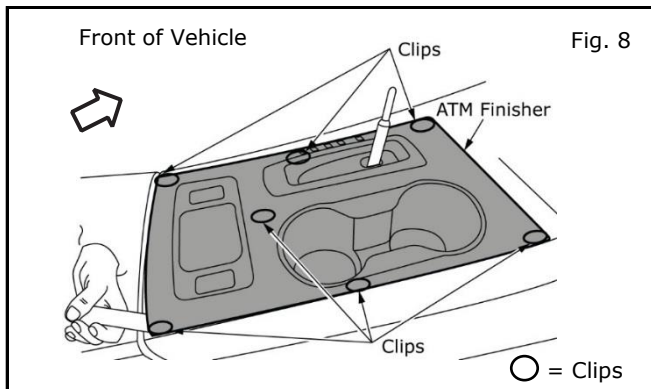


- 1) Turn ignition switch to "**OFF**" position.
- 2) Disconnect negative battery terminal.
 - a) Lower both driver and passenger windows to prevent damage.
 - b) Disconnect negative battery terminal.
- 3) Removal of Center Console Rear Finisher.
 - a) Starting from bottom of console using trim removal tool, remove console at eight clip locations. See Figure. 4.
- 4) Removal of Vent.
 - a) Remove two screws from vent and unattach. Place vent aside for later re-installation.
- 5) Disconnect iKey antenna harness and rear temperature control harness and set finisher aside.

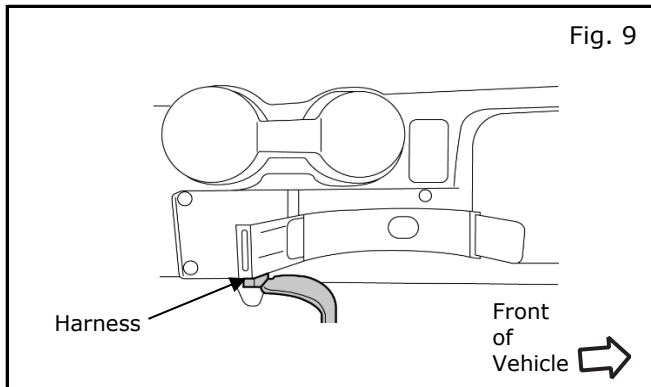
INSTALLATION PROCEDURE:



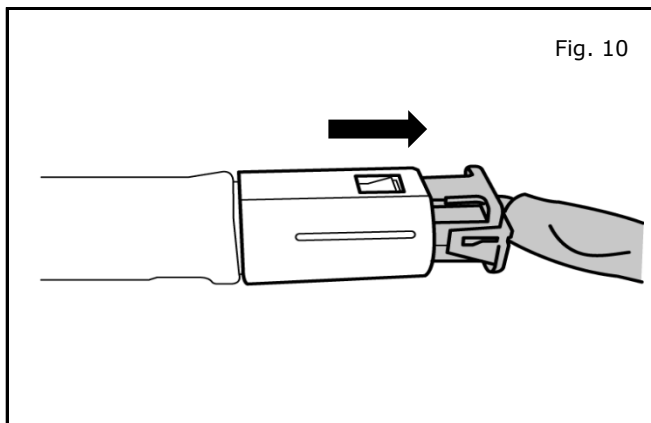
- 6) Shift knob removal.
 - a) Pull down lower cover of shifter knob.
 - b) Remove shift knob retaining clip and pull knob off of shaft.
 - c) Replace clip on shift knob and set knob aside.



- 7) Removing ATM finisher.
 - a) Starting from rear of vehicle using trim removal tool, remove ATM finisher at 7 clip locations as shown in Figure 8.

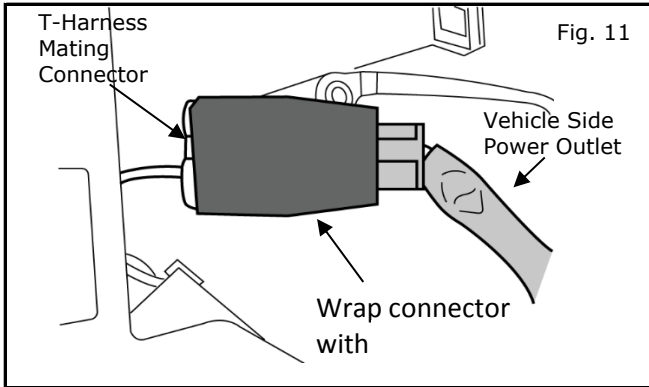


- 8) ATM Finisher removal:
 - a) Disconnect harness from console finisher and set finisher aside.

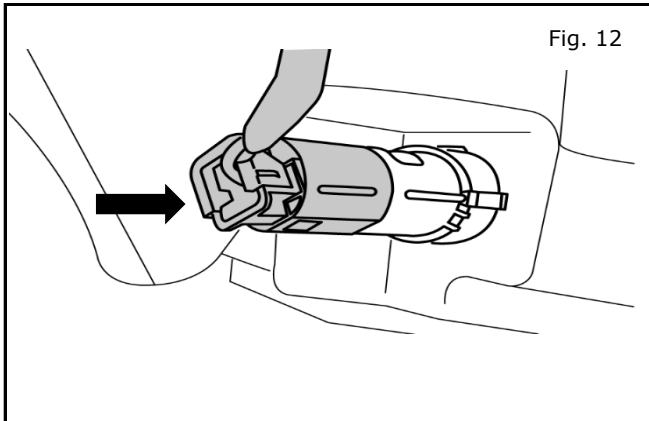


- 9) Unplug vehicle harness from Power outlet.

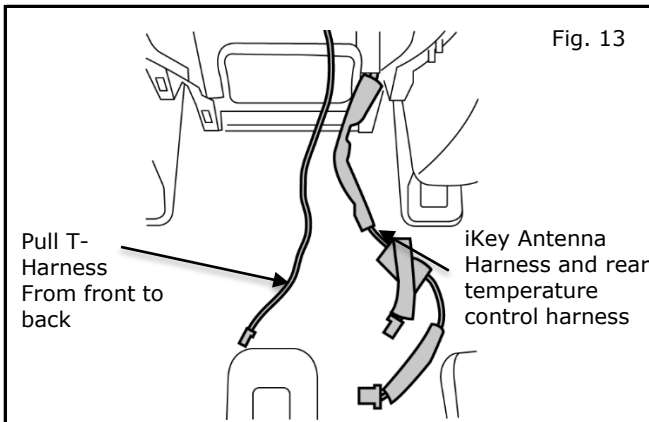
INSTALLATION PROCEDURE:



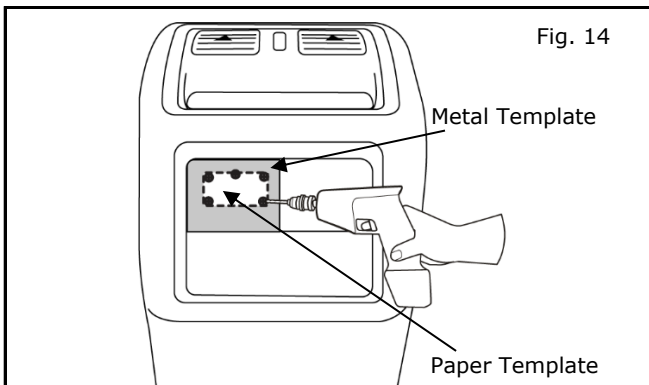
- 10) Routing USB T-harness.
 - a) Plug vehicle side power outlet connector to mating connector on T-harness in the USB kit.
 - b) Wrap mating connector on t-harness with foam tape to prevent rattle.



- 11) Routing USB T-Harness:
 - a) Connect corresponding end of T-harness to Vehicle Power Outlet.

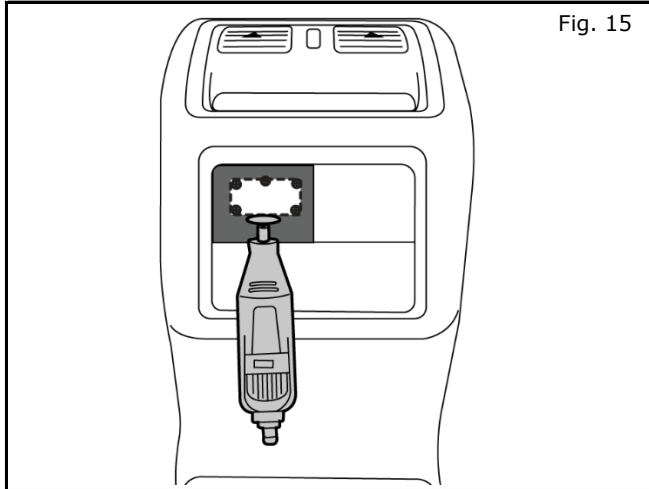


- 12) Fishing T-harness to RR of console.
 - a) Feed fishing wire through back of console to Power outlet.
 - b) Attach T-harness to fishing wire and pull T-harness to back of console.



- 13) Drill holes in the RR finisher.
 - a) Cut template in installation instructions.
 - b) Align template to curves of upper SW trim panel and attach with tape.
 - c) Align metal template to the paper template and attach using tape.
 - d) Punch 5 marked holes on the template using punch tool.
 - e) Using 1/8" bit, Drill hole in the RR finisher.

INSTALLATION PROCEDURE:

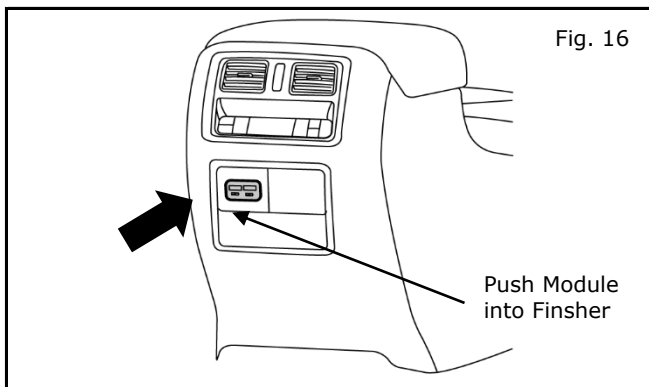


- 14) Cutting hole in RR finisher.
a) Cut hole using dremel tool.

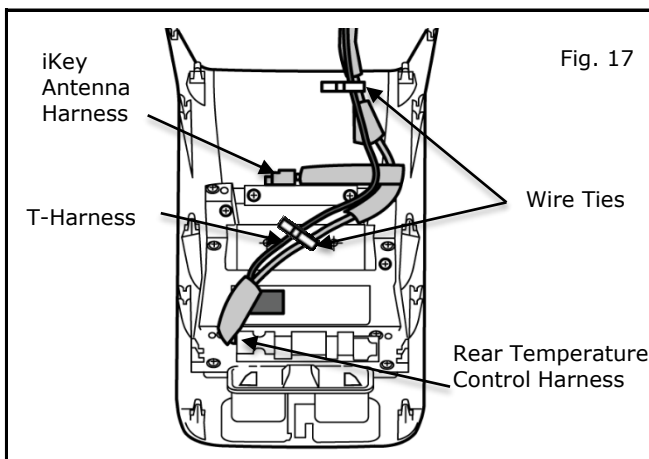
Note:

- **Carefully cut hole for USB module to avoid damaging trim.**
- **Try not to cut hole any bigger than the template for proper fit and finish of the USB module.**

- b) After cutting hole, smooth out edges using hand file.



- 15) Insert USB module in RR finisher.
a) Insert USB module in cutout, keeping battery logo on bottom.
b) Push module in until click is heard to ensure proper fit.



- 16) Plug harnesses into respective locations.
a) Plug T-harness into USB module.
b) Plug iKey antenna harness and rear temperature control harness back into location.
c) Wire tie t-harness to ikey antenna harness and rear temperature control harness.

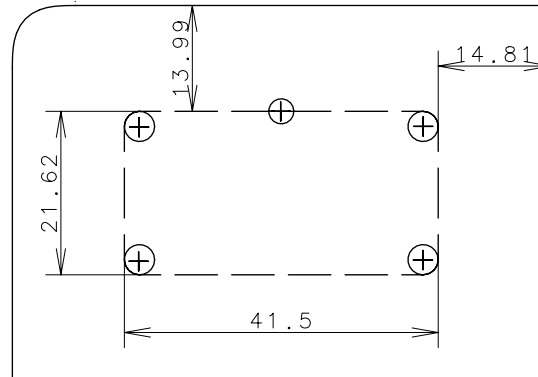
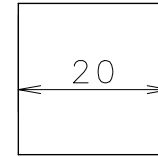
21) ACCESSORY FUNCTION CHECK:

- Connect module to T-Harness.
- Put vehicle ignition in ACC position.
- Halo around the USB ports will illuminate .
- Optional: Connect any Device (Mobile,Tablet,Ipad etc.) with USB charging port using USB cable, to confirm its charging.
- Turn off vehicle.

22) Re-assembly process:

- Connect all the harnesses back in AT finisher.
- Reinstall ATM finisher and Bolts.
- Reinstall center console rear finisher.

P42K PATHFINDER REAR USB CHARGE PORT PAPER TEMPLATE



- 1) Align edges of the template to the edges of the rear trim panel, as seen in the installation instructions.
- 2) When printing, be sure to set scaling to "NONE" or "ACTUAL SIZE"
- 3) All measurements are in millimeters.

BILL OF MATERIALS:

Dual USB Charging port Kit - 999Q7 V4000

Item	Part Description	Qty.	Service Part Number
1	Dual USB Charging Module	1	999Q7 V4001
2	T-Harness	1	999Q9 V4000/999Q9 V4001
3	Wire Ties	10	
4	Foam Tape	4	
5	Poly Bag	1	
6	Installation Instruction Replacement Template	1	999V2 AW000